

REV/版本	DESCRIPTION/变更内容	DATE/日期	DRAWN BY/绘图

1) Product main performance/产品主要性能指标:

Operating Temperature/工作温度: $-55^{\circ}\text{C} \sim 125^{\circ}\text{C}$
Humidity(max)/最大潮湿: $\leq 95\%$ [at 60 deg C / 140 F]
Shielding /屏蔽性能: 75dB(10MHz) 40dB(1GHz)
Salt Spray Corrosion/盐雾: 96hr
P op (max)/最大环境压力: 60 bar (870 psi)
Insert Configuration/针芯配置: 45F.306
Pin Size/接触件直径: $\phi 2.0\text{mm}$
R (Max)/接触电阻: $\leq 2\text{m}\Omega$
Insulation resistance/绝缘电阻: $5000\text{M}\Omega$ (测试电压500V(DC))
Withstand voltage/耐电压: 3000V(AC)
Rated Current/额定电流: 20A

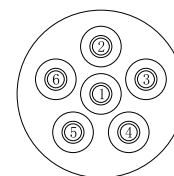
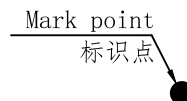
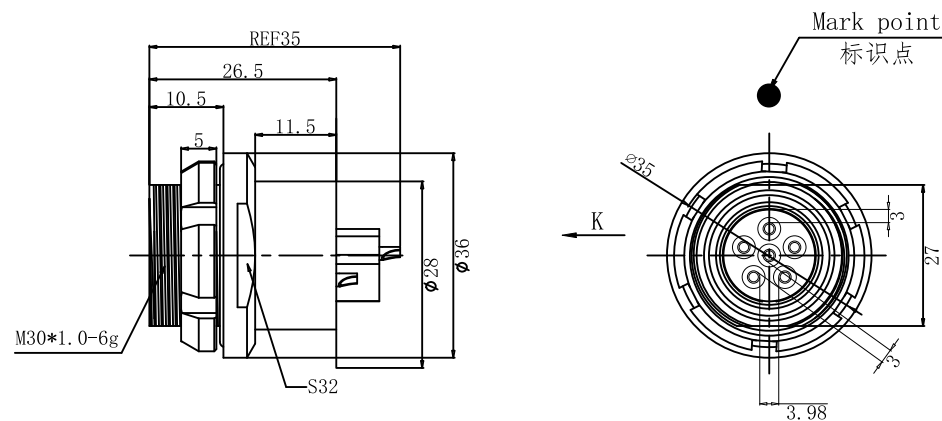
2) Mechanical data/机械特性:

Vibration/振动: 15g[10Hz~2000Hz]
Shock Resistance/冲击: 100g[6ms]
Endurance (Shell)/机械寿命: 5000

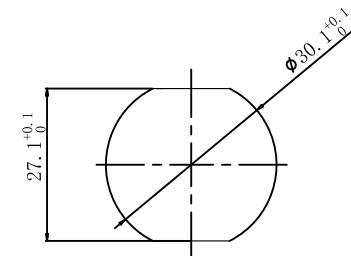
3) Other Specification/其它规格:

Contact PIN/接触件: Gold-plated tin bronze/锡青铜镀金
Housing Material/外壳材质: Pearl-plated chrome brass/黄铜镀珍珠铬
Other metal spare parts/其余金属件: nickel plated brass/黄铜镀镍
Sealing ring material/密封圈: O型导电密封圈(米白色)
Insulator material/绝缘材料: PPS
IP Rating/防护等级: IP68(尾部密封防护处理)

*ALL MATERIALS ARE RoHS COMPLIANT/所有材料均符合RoHS要求



View k
K向孔位排列



Panel cut-outs
面板开孔尺寸

TOLERANCES UNLESS OTHERWISE SPECIFIED: 未标注尺寸公差: ± 0.1 未标注角度公差: $\pm 0.5^{\circ}$	First ANGLE PROJECTION	Product name/产品名称 YTLF104Z10K06
	SIZE: A4 UNITS: mm SCALE: 1:1 SHEET: 1 OF 1	
DRAWN BY: 绘图: PD03	DATE/日期: 2022-07-13	QM NO 料号
CHECKED BY: 审核: PD04	DATE/日期: 2022-07-13	DRAWING NO 图号
APPROVED BY: 核准: PD02	DATE/日期: 2022-07-13	CUSTOMER NO 客户料号
		REV/版本 A1