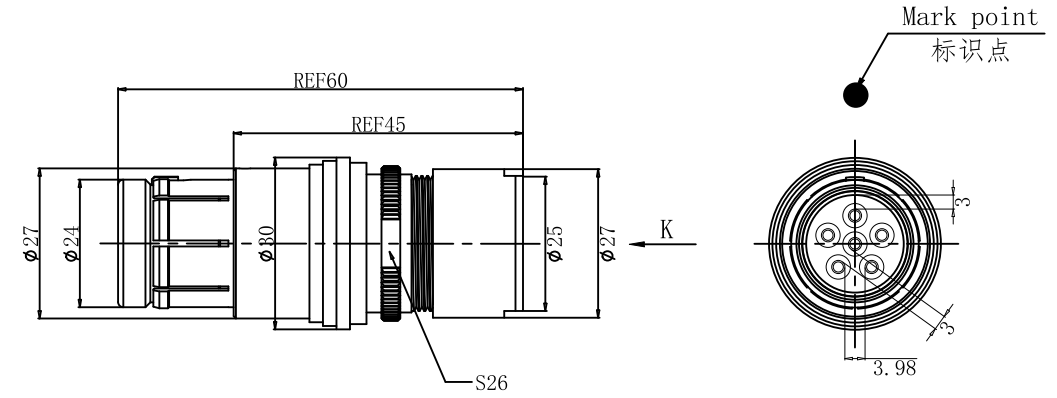


REV/版本	DESCRIPTION/变更内容	DATE/日期	DRAWN BY/绘图
A2	插针直径由1.0变更为2.0	2022.06.30	PD03

1) Product main performance/产品主要性能指标:

Operating Temperature/工作温度: -55°C~200°C  
Humidity(max)/最大潮湿: <=95% [at 60 deg C / 140 F]  
Shielding /屏蔽性能: 75dB(10MHz) 40dB(1GHz)  
Salt Spray Corrosion/盐雾: 96hr  
P op (max)/最大环境压力: 60 bar (870 psi)  
Insert Configuration/针芯配置: 45F.306  
Pin Size/接触件直径:  $\phi 2.0\text{mm}$   
R (Max)/接触电阻:  $\leq 2\text{m}\Omega$   
Insulation resistance/绝缘电阻: 5000M $\Omega$  (测试电压500V(DC))  
Withstand voltage/耐电压: 3000V(AC)  
Rated Current/额定电流: 20A  
Suitable cable diameter/适合电缆直径:  $\phi 10.2-\phi 11$

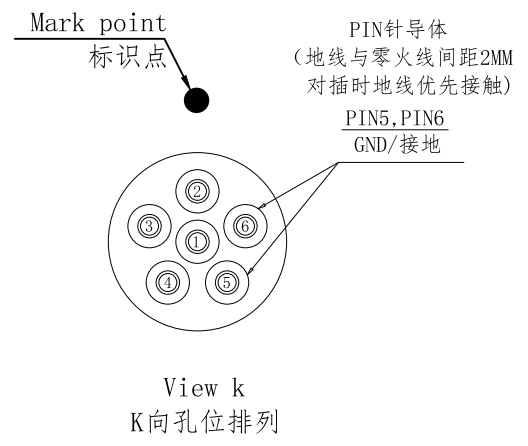


2) Mechanical data/机械特性:

Vibration/振动: 15g[10Hz~2000Hz]  
Shock Resistance/冲击: 100g[6ms]  
Endurance (Shell)/机械寿命: 5000

3) Other Specification/其它规格:

Contact PIN/接触件: Gold-plated tin bronze/锡青铜镀金  
Housing Material/外壳材质: Pearl-plated chrome brass/黄铜镀珍珠铬  
Other metal spare parts/其余金属件: nickel plated brass/黄铜镀镍  
Insulator material/绝缘材料: PPS  
IP Rating/防护等级: IP68(尾部密封防护处理)  
\*ALL MATERIALS ARE RoHS COMPLIANT/所有材料均符合RoHS要求



TOLERANCES UNLESS OTHERWISE SPECIFIED: 未标注尺寸公差: $\pm 0.1$ 未标注角度公差: $\pm 0.5^\circ$	First ANGLE PROJECTION	Product name/产品名称	
	SIZE: A4	UNITS: mm	YTLF104T03J06
	SCALE: 1: 1	SHEET: 1 OF 1	
DRAWN BY: 绘图: PD03	DATE/日期: 2022-06-30	QM NO 料号	REV/ 版本
CHECKED BY: 审核: PD04	DATE/日期: 2022-06-30	DRAWING NO 图号	
APPROVED BY: 核准: PD02	DATE/日期: 2022-06-30	CUSTOMER NO 客户料号	A2