

1) Product main performance/产品主要性能指标:

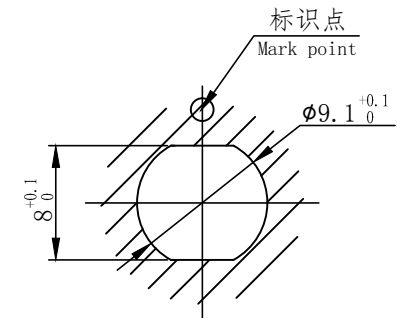
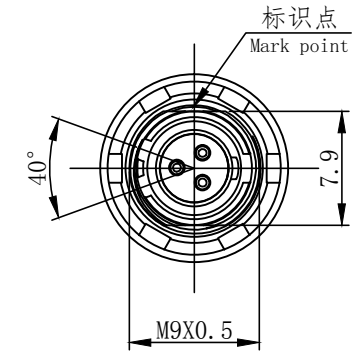
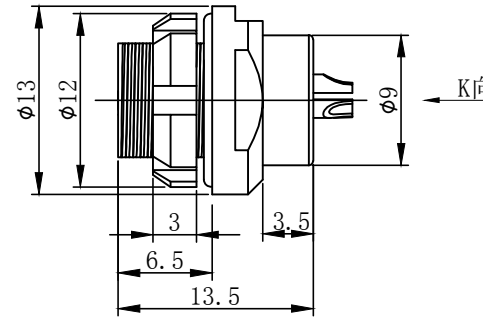
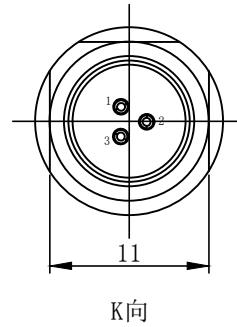
Operating Temperature/工作温度: -55°C~125°C  
 Humidity(max)/最大潮湿: <=95% [at 60 deg C / 140 F]  
 Shielding /屏蔽性能: 95dB(10MHz) 80dB(1GHz)  
 Salt Spray Corrosion/盐雾: 96hr  
 P op (max)/最大环境压力: 60 bar (870 psi)  
 InsertInsulation resistance/绝缘电阻: 5000MΩ  
 Withstand voltage/耐电压: 500V

2) Mechanical data/机械特性:

Vibration/振动: 15g[10Hz~2000Hz]  
 Shock Resistance/冲击: 100g[6ms]  
 Endurance (Shell)/机械寿命: 5000

3) Other Specification/其它规格:

Contact PIN/接触件: Tin bronze plating/锡青铜镀金  
 Housing Material/外壳材质: Brass is plated with black chrome/黄铜镀黑铬  
 Other metal spare parts/其余金属件: nickel plated brass/黄铜镀镍  
 Insulator material/绝缘材料: PPS  
 IP Rating/防护等级: IP68 (Interpolation state/插合状态)  
 \*ALL MATERIALS ARE RoHS COMPLIANT/所有材料均符合RoHS要求



Panel cut-outs  
 建议安装开孔尺寸

| Insert Configuration<br>针芯配置       | 302                    | 303     | 304     | 305     | 307     | 309     |
|------------------------------------|------------------------|---------|---------|---------|---------|---------|
| Pin Number(View K)<br>针芯排列(K向)     | 标识点<br>                | 标识点<br> | 标识点<br> | 标识点<br> | 标识点<br> | 标识点<br> |
| Pin Size<br>接触体直径 (MM)             | 0.9                    | 0.9     | 0.7     | 0.7     | 0.5     | 0.5     |
| Withstand voltage<br>耐电压 (V) (AC)  | 875V                   | 875     | 750     | 750     | 750     | 750     |
| Rated Current<br>额定电流 (A)          | 10.0                   | 8.0     | 7.0     | 6.5     | 2.5     | 2.5     |
| Insulation resistance<br>绝缘电阻 (MΩ) | ≥5000MΩ (测试电压500V(DC)) |         |         |         |         |         |
| R (max)<br>接触电阻 (mΩ)               | ≤5                     | ≤5      | ≤12.5   | ≤12.5   | ≤15     | ≤15     |

| REV/版本 | DESCRIPTION/变更内容 | DATE/日期 | DRAWN BY/绘图 |
|--------|------------------|---------|-------------|
| A1     | 增加标识点            | pd01    | 20211116    |

| TOLERANCES UNLESS OTHERWISE SPECIFIED:<br>未标注尺寸公差: ±0.1<br>未标注角度公差: ±0.5° |      | FIRST ANGLE PROJECTION<br>SIZE: A4 UNITS: mm<br>SCALE: 1: 1 SHEET: 1 OF 1 | Product name/产品名称<br>YTLOU插座 |                     |
|---|------|---|------------------------------|---------------------|
| DRAWN BY:<br>绘图:  | pd01 | DATE/日期:  | 20211116                     | QM NO<br>料号         |
| CHECKED BY:<br>审核:  | pd02 | DATE/日期:  | 20211116                     | DRAWING NO<br>图号    |
| APPROVED BY:<br>核准:   | pd02 | DATE/日期:  | 20211116                     | CUSTOMER NO<br>客户料号 |
|   |      |   |                              | REV/<br>版本<br>A1    |