

REV/版本	DESCRIPTION/变更内容	DATE/日期	DRAWN BY/绘图

1) Product main performance/产品主要性能指标:

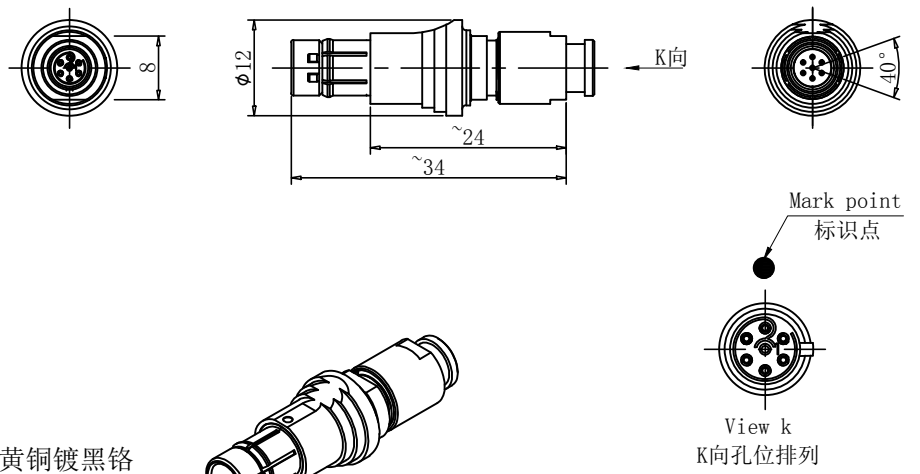
Operating Temperature/工作温度: -55°C~200°C
 Humidity(max)/最大潮湿: <=95% [at 60 deg C / 140 F]
 Shielding /屏蔽性能: 95dB(10MHz) 80dB(1GHz)
 Salt Spray Corrosion/盐雾: 96hr
 P op (max)/最大环境压力: 60 bar (870 psi)
 InsertInsulation resistance/绝缘电阻: 5000MΩ
 Withstand voltage/耐电压: 500V

2) Mechanical data/机械特性:

Vibration/振动: 15g[10Hz~2000Hz]
 Shock Resistance/冲击: 100g[6ms]
 Endurance (Shell)/机械寿命: 5000

3) Other Specification/其它规格:

Contact PIN/接触件: Tin bronze plating/锡青铜镀金
 Housing Material/外壳材质: Brass is plated with black chrome/黄铜镀黑铬
 Other metal spare parts/其余金属件: nickel plated brass/黄铜镀镍
 Insulator material/绝缘材料: PPS
 IP Rating/防护等级: IP68(Interpolation state/插合状态)
 *ALL MATERIALS ARE RoHS COMPLIANT/所有材料均符合RoHS要求



Cable OD/ 电缆夹直径 (MM)	Cable diameter/ 适配电缆直径 (MM)	
	Min	Maxi
3.2	2.5	3.0
4.2	3.1	4.0
5.2	4.1	5.0

Insert Configuration 针芯配置	302	303	304	305	307		
Pin Number (View K) 针芯排列 (K向)							
Pin Size 接触体直径 (MM)	0.9	0.9	0.7	0.7	0.5		
Withstand voltage 耐电压 (V) (AC)	875V	875	750	750	750		
Rated Current 额定电流 (A)	10.0	8.0	7.0	6.5	2.5		
Insulation resistance 绝缘电阻 (MΩ)	≥5000MΩ (测试电压500V (DC))						
R (max) 接触电阻 (mΩ)	≤5	≤5	≤12.5	≤12.5	≤15		

TOLERANCES UNLESS OTHERWISE SPECIFIED: 未标注尺寸公差: ±0.1 未标注角度公差: ±0.5°	First ANGLE PROJECTION	Product name/产品名称 YTL0U插头	
	SIZE: A4	UNITS: mm	SCALE: 1: 1 SHEET: 1 OF 1
DRAWN BY: 绘图: pd01	DATE/日期: 20210818	QM NO 料号	REV/ 版本
CHECKED BY: 审核: pd02	DATE/日期: 20210818	DRAWING NO 图号	A0
APPROVED BY: 核准: pd02	DATE/日期: 20210818	CUSTOMER NO 客户料号	