

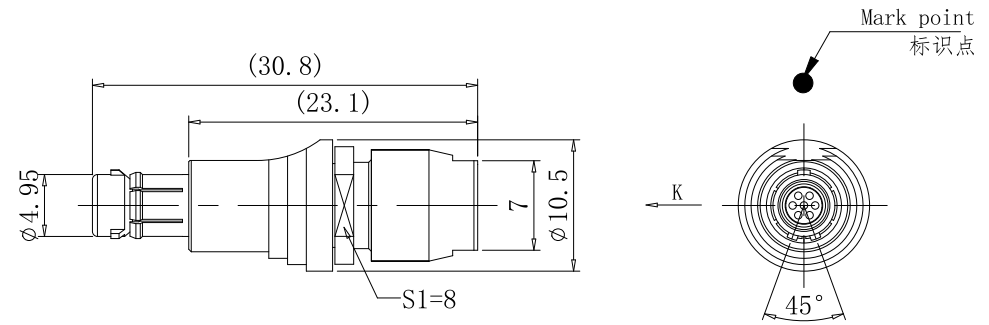
1) Product main performance/产品主要性能指标：

Operating Temperature/工作温度：-55℃~200℃  
 Humidity(max)/最大潮湿：<=95% [at 60 deg C / 140 F]  
 Shielding /屏蔽性能：75dB(10MHz) 40dB(1GHz)  
 Salt Spray Corrosion/盐雾：96hr  
 P op (max)/最大环境压力：60 bar (870 psi)

Mechanical data/机械特性：  
 Vibration/振动：15g[10Hz~2000Hz]  
 Shock Resistance/冲击：100g[6ms]  
 Endurance (Shell)/机械寿命：5000+

Other Specification/其它规格：  
 Contact PIN/接触体：Gold-Tin bronze plating/锡青铜镀金  
 Housing Material/外壳材质：black chrome plated brass/黄铜镀黑铬  
 Other metal spare parts/其余金属件：nickel plated brass/黄铜镀镍  
 Applicable cable diameter/适用电缆直径：φ4.1-φ5.0  
 Insulator material/绝缘材料：PPS  
 IP Rating/防护等级：IP68(插合状态)  
 \*ALL MATERIALS ARE RoHS COMPLIANT/所有材料均符合RoHS要求..

REV/版本	DESCRIPTION/变更内容	DATE/日期	DRAWN BY/绘图



Insert Configuration 针芯配置	302	303	304	305	307
Pin Number (View K) 针芯排列 (K向)					
Pin Size 接触体直径 (MM)	0.5	0.5	0.5	0.4	0.3
Withstand voltage 耐电压 (V) (AC)	875	750	750	650	300
Rated Current 额定电流 (A)	5.0	3.0	2.0	1.7	0.5
Insulation resistance 绝缘电阻 (MΩ)	≥5000MΩ (测试电压500V (DC))				
R (max) 接触电阻 (mΩ)	≤15	≤15	≤15	≤20	≤25

TOLERANCES UNLESS OTHERWISE SPECIFIED: 未标注尺寸公差: ±0.1 未标注角度公差: ±0.5°	First ANGLE PROJECTION	Product name/产品名称 <b>YTL00U插头</b>	
	SIZE: A4	UNITS: mm	REV/版本 <b>A1</b>
SCALE: 1: 1	SHEET: 1 OF 1	DRAWING NO 料号	
DRAWN BY: 绘图: PD03	DATE/日期 2022-07-22	CUSTOMER NO 客户料号	
CHECKED BY: 审核: PD04	DATE/日期 2022-07-22		
APPROVED BY: 核准: PD02	DATE/日期 2022-07-22		